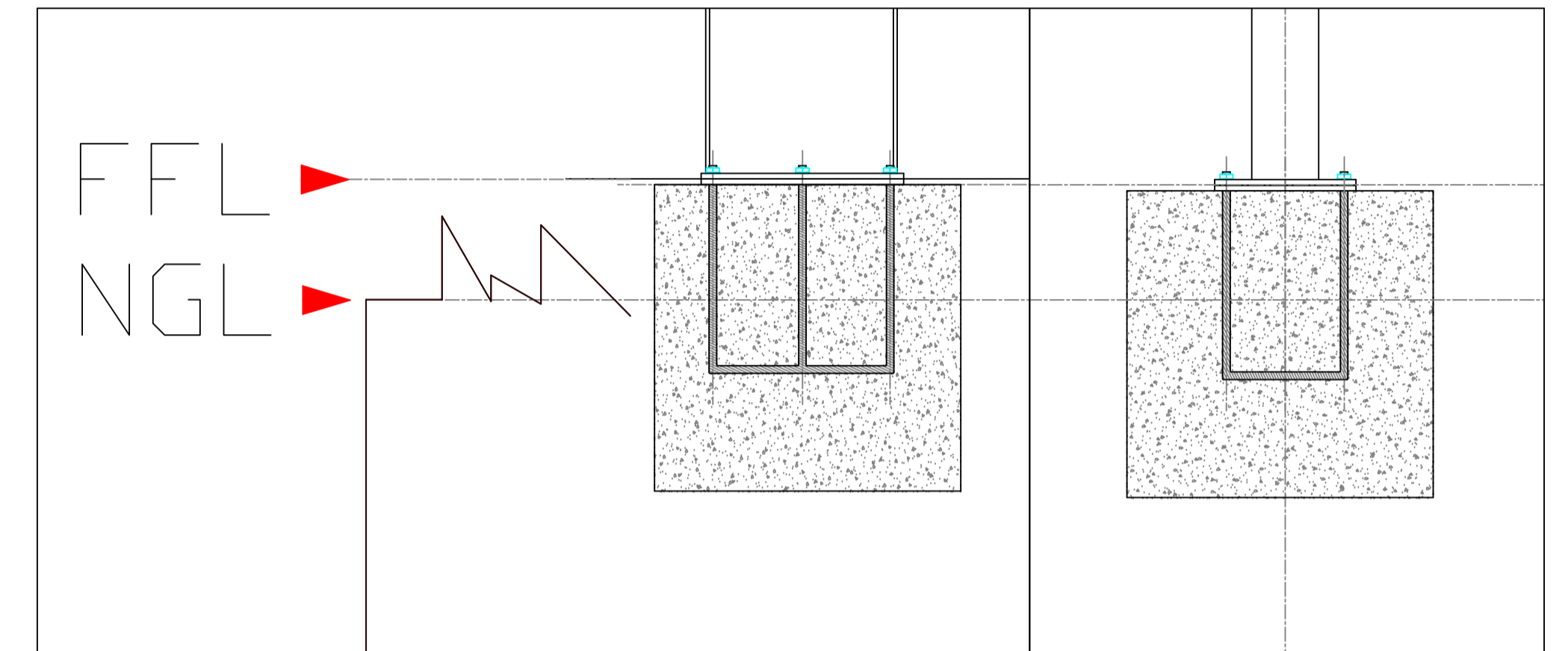


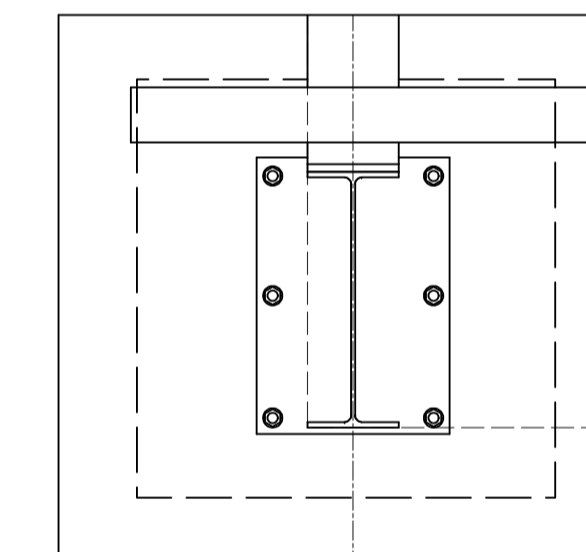
Detail : Gusset
Web - Column to Beam

Detail : Gusset
Beam joinage



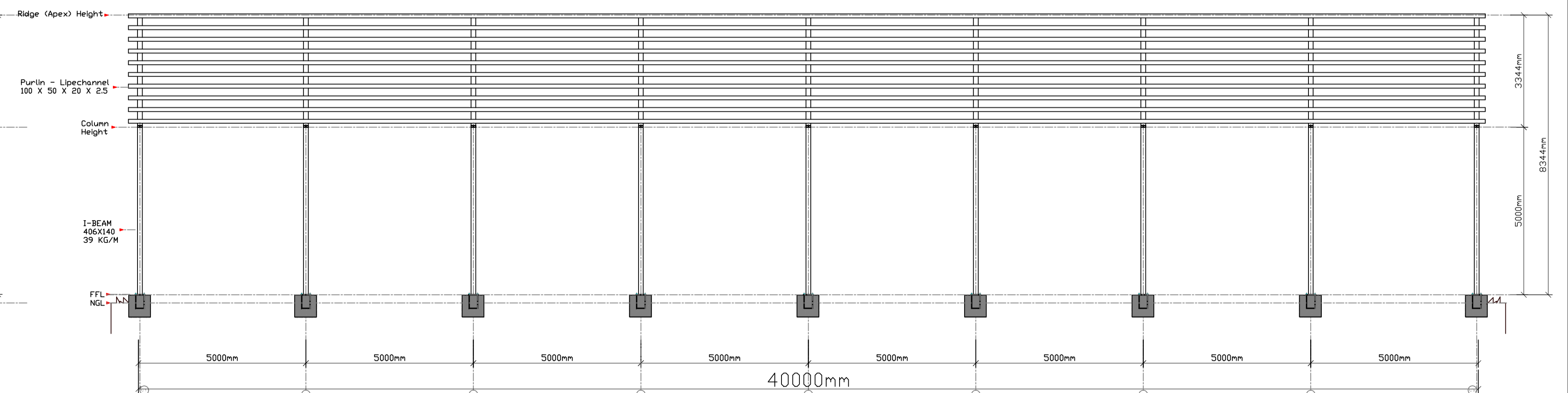
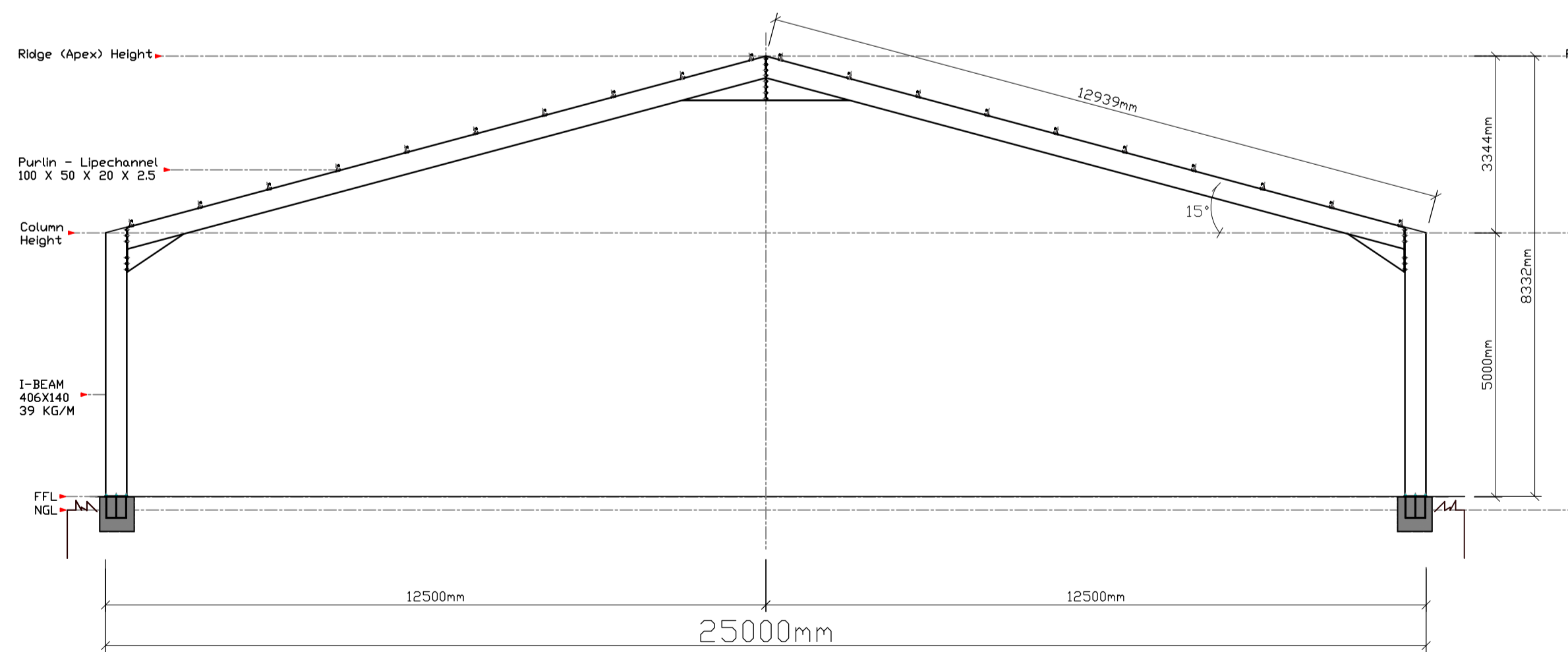
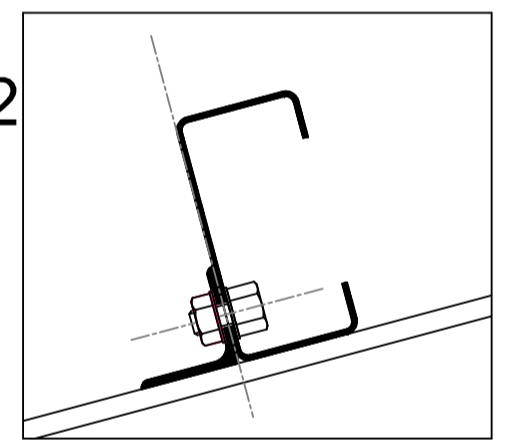
East Elevation
Plynth, baseplate & starterbar

East Elevation
Detail : Plynth



Baseplate & Column
- Top View

Purlin fixing Detail
L/C 100X50X20X2



Drawing :
Steel Structure
25m (W) X 40

Purpose :
For quotation & discussion purposes

Material & Size :
Collumns : I-Beam 406X140X39kg/m
Beams : I-Beam 406X140X39kg/m

This drawing and design is copyright and must not be reproduced in part or in whole without prior written consent. Contractors must verify all dimensions on site before commencing work or preparing shop drawings.
DRAWN BY : JFG

Scale : Do Not Scale
Sales Rep : AFRIPANEL
Date : 22 / 04 / 2013
Dwg nr / Ref : AFRIPANEL Structure_rev1