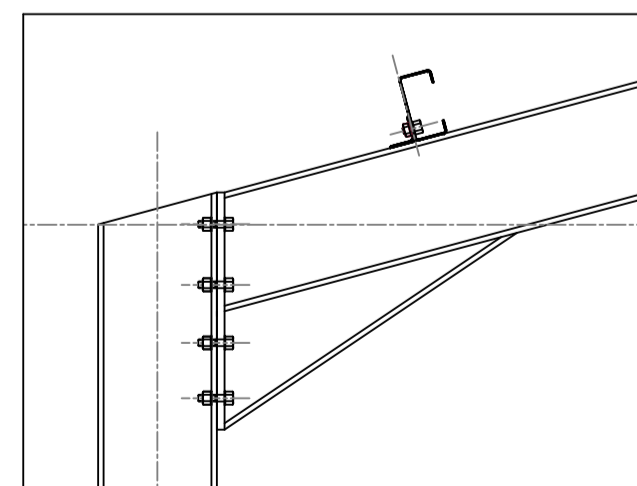
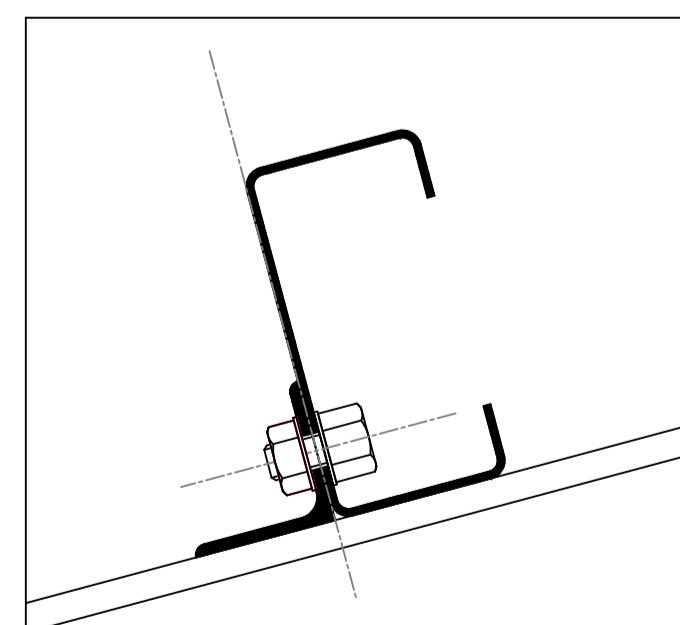


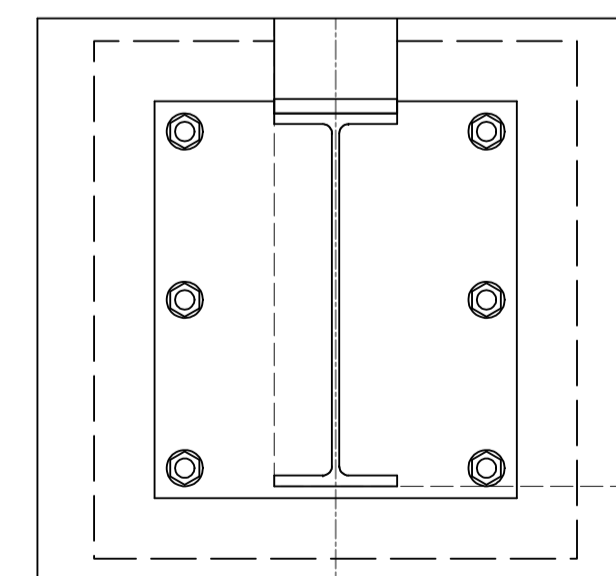
Detail : Gusset  
Beam jointage



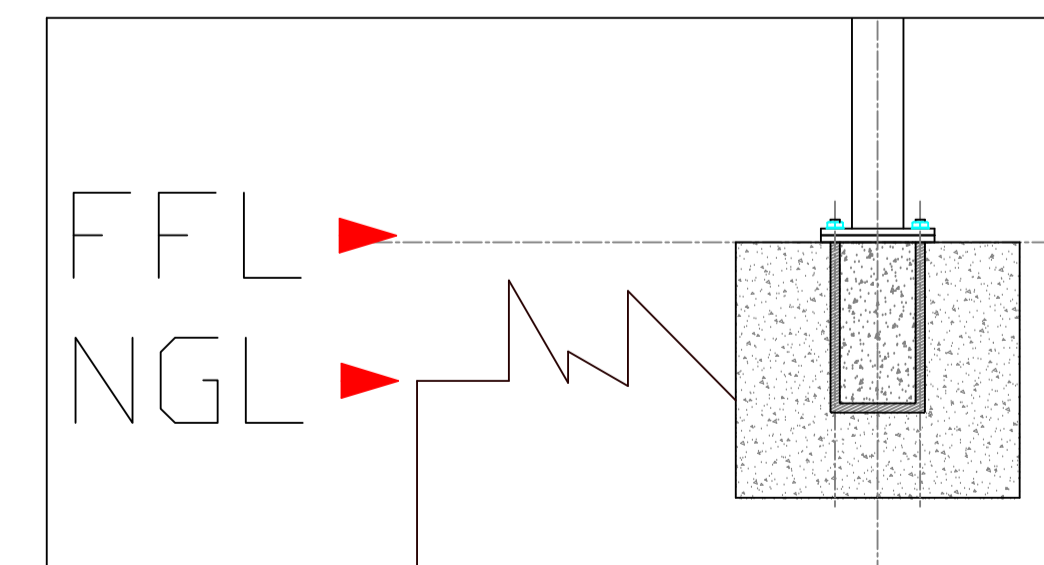
Detail : Gusset  
Web - Column to Beam



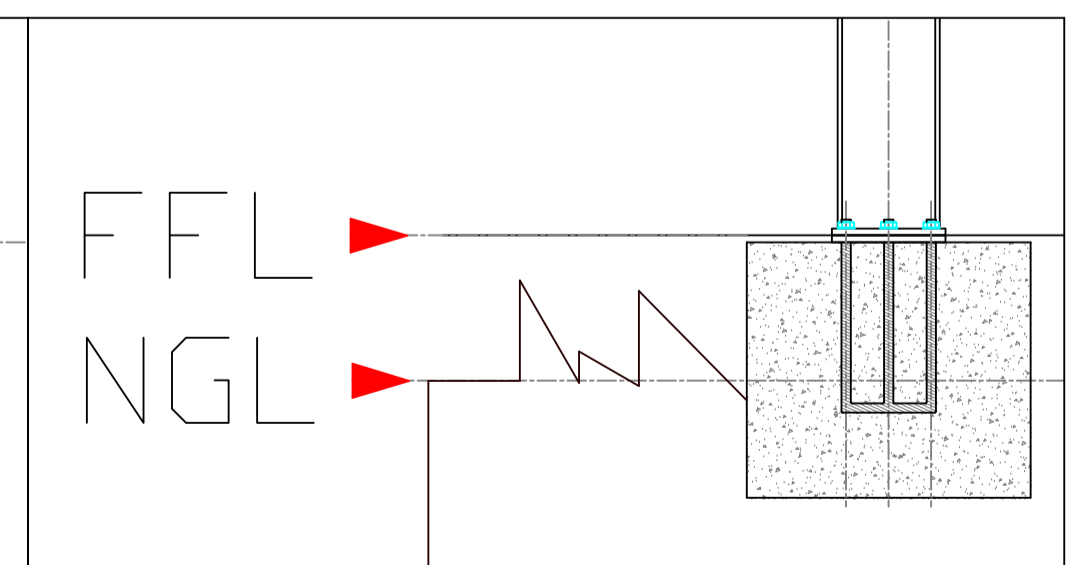
Purlin fixing Detail  
L/C 100X50X20X2



Baseplate & Column  
- Top View



East Elevation  
Detail : Plynth



East Elevation  
Plynth, baseplate & starterbar



Drawing :  
Steel Structure  
20m (W) X 40m

Purpose :  
For quotation & discussion purposes

Material & Size :  
Columns : IBeam 305X102X28,2kg/m  
Beams : IBeam 305X102X28,2kg/m

This drawing and design is copyright and must not be reproduced in part or in whole without prior written consent.  
Contractors must verify all dimensions on site before commencing work or preparing shop drawings.  
DRAWN BY : JFG

Scale : Do Not Scale  
Sales Rep : Afripanel  
Date : 22 / 04 / 2013  
Dwg nr / Ref : Afripanel Structure\_rev1