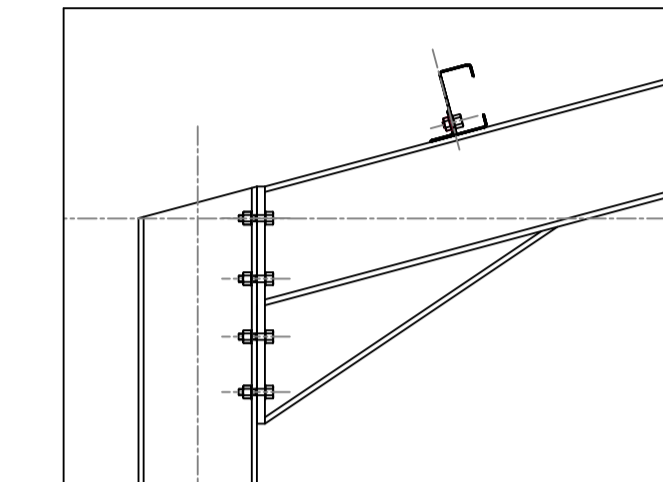
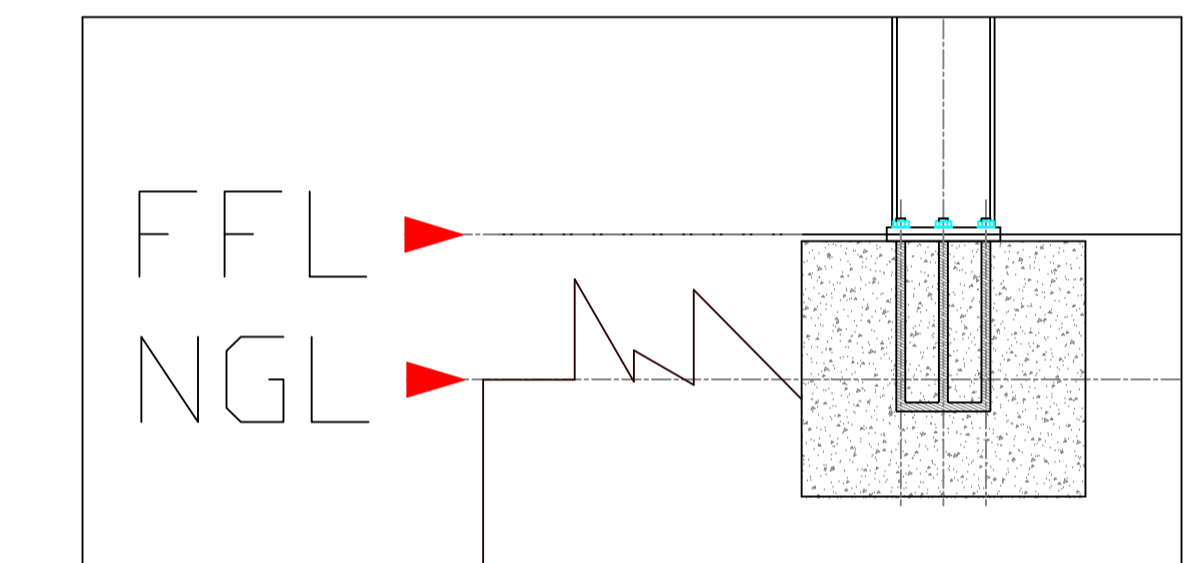
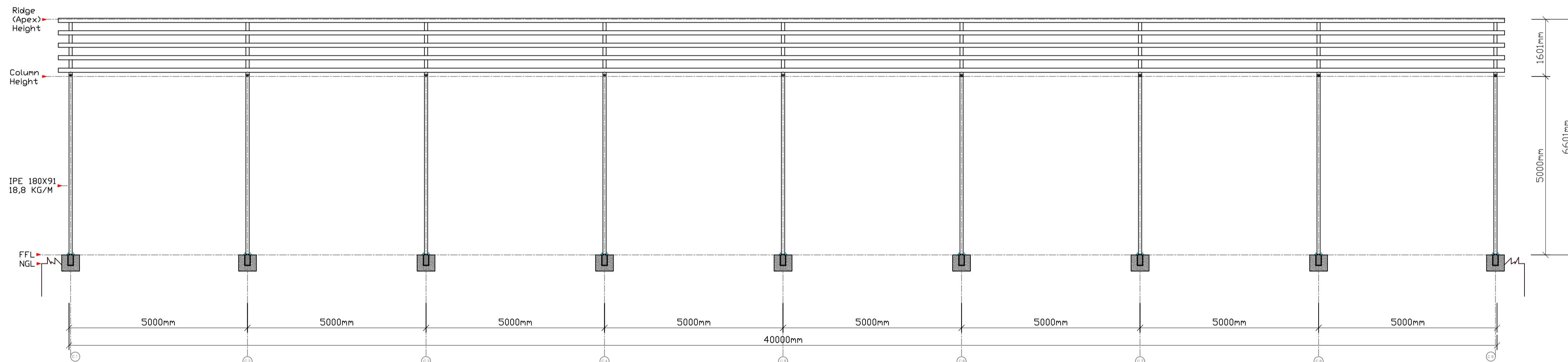


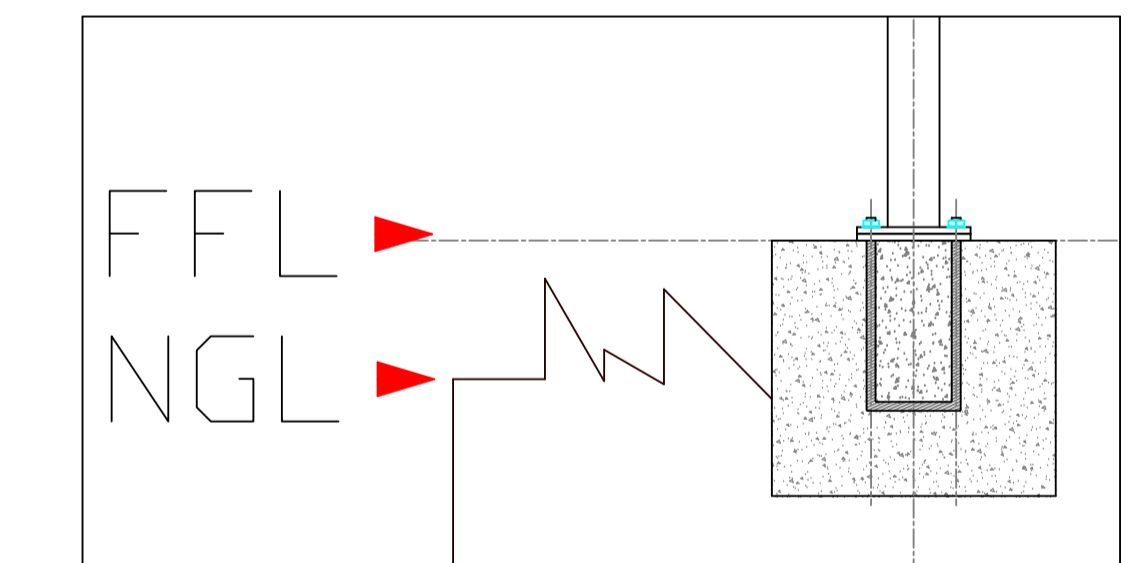
Detail : Gusset
Beam joinage



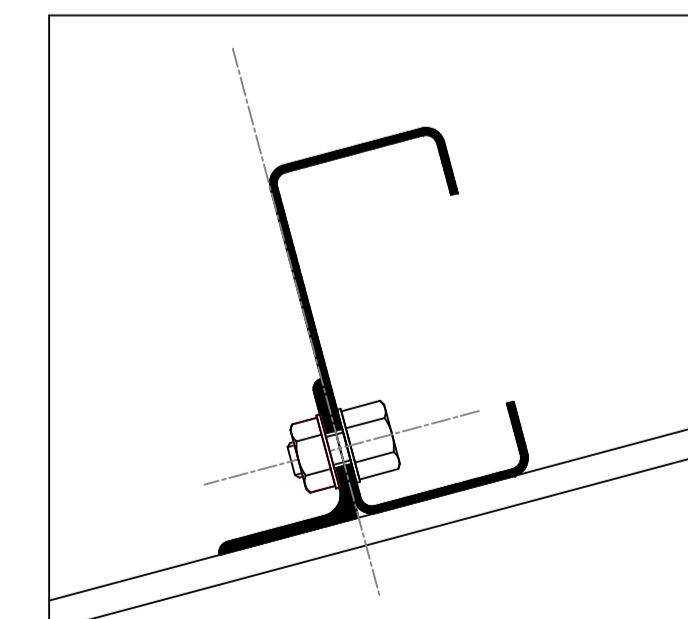
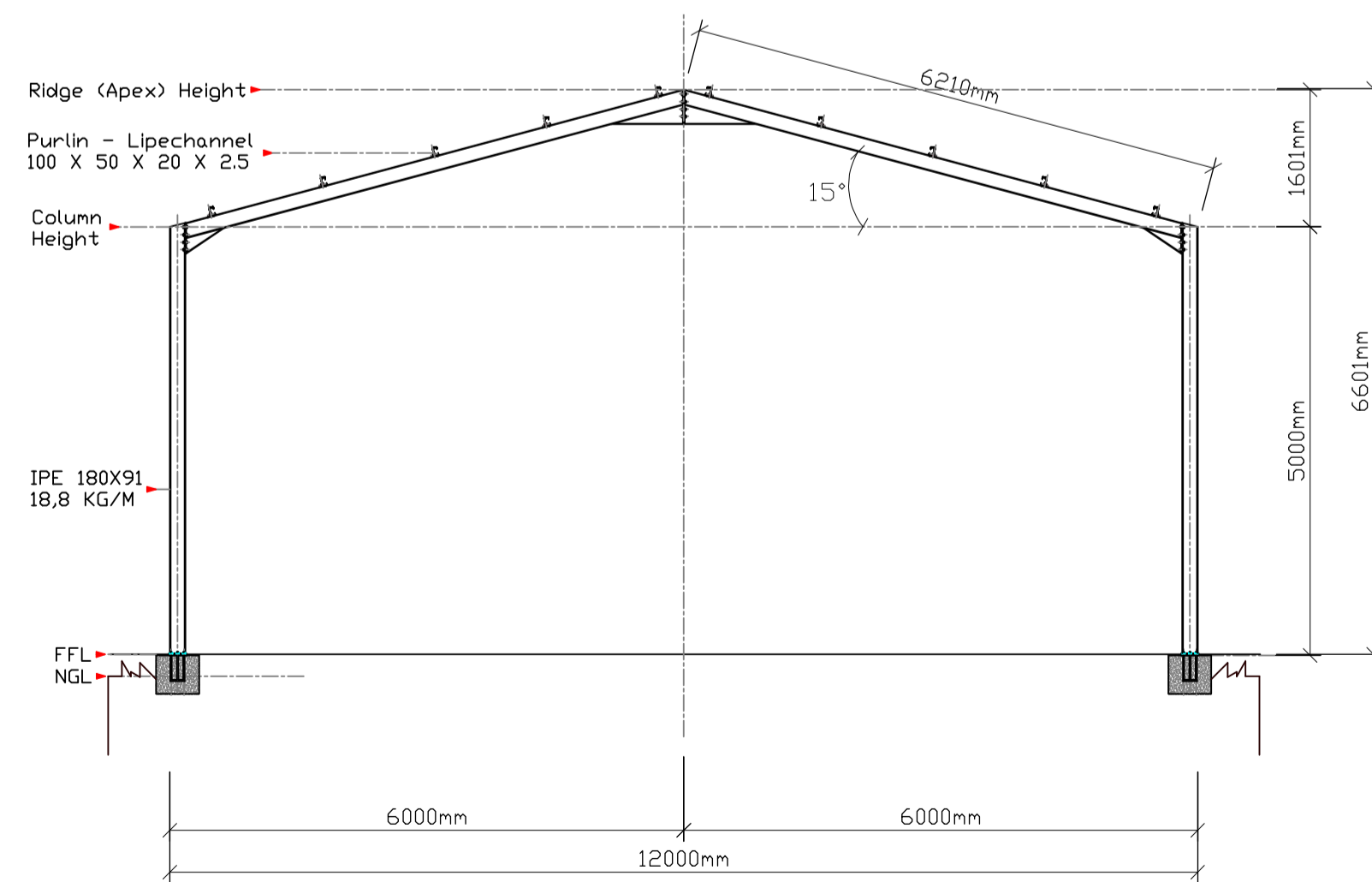
Detail : Gusset
Web - Column to Beam



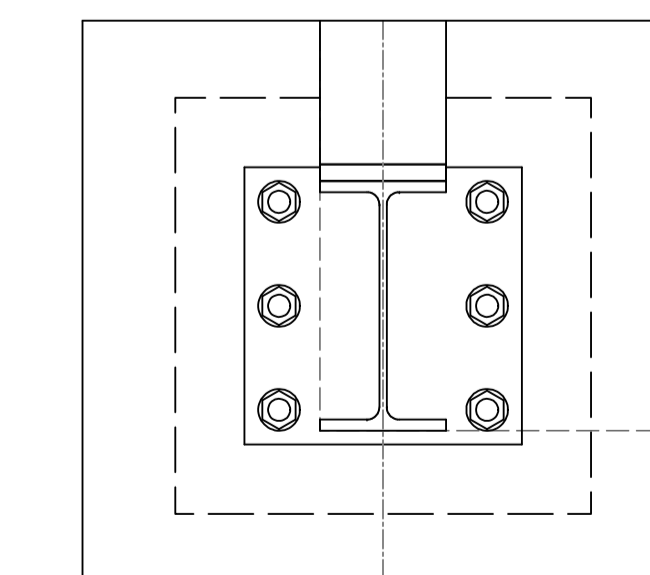
East Elevation
Plynth, baseplate & starterbar



East Elevation
Detail : Plynth



Purlin fixing Detail



Baseplate & Column
- Top View



Drawing :
Steel Structure
12m (W) X 40m (H)

Purpose :
For quotation & discussion purposes

Material & Size :
Collumns : IPE 180X91X18,8kg/m
Beams : IPE 180X91X18,8kg/m

This drawing and design is copyright and must not be reproduced in part or in whole without prior written consent. Contractors must verify all dimensions on site before commencing work or preparing shop drawings.
DRAWN BY : JFG

Scael : Do Not Scale
Sales Rep :
Date : 22 / 04 / 2013
Dwg nr / Ref : Afripanel Structure_ 12X40rev1